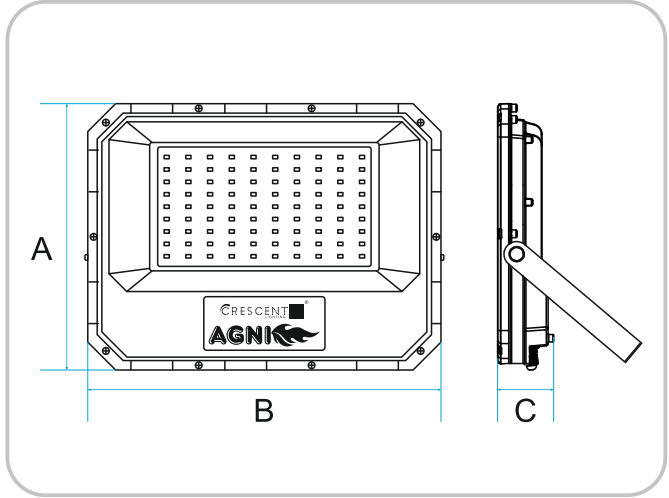




CRF60 - LED Flood Light



Product Details

Lighting Performance

Variants	30W 50W 60W 100W 120W
	150W 200W 220W
Lumen Output	3600 6000 7200 12000 14400
	18000 24000 26400
Efficacy	120 Lm/ Watt
Rated Voltage (V)	240V, 50Hz
No. of LEDs	40 72 72 144 144
No. of LEDs	216 288 288

LED Specification

Color Temperature	3K 4K 6K RD GR BL AM
Single LED Lumen	135Lm - 145Lm
Life with Lm80 Criteria	50000 Hrs.
CRI	≥ 80
Beam Angle	120°

Driver Specification

BIS Registration	Yes
Surge Protection	Upto 10KV
Short Circuit Protection	Yes
Open Circuit Protection	Yes
Country of Manufacturing	India

Qualification & Warranty

IS 10322 / Part - 5



R - 71012300
www.bis.gov.in



Construction

Optical Cover	Polycarbonate
Product Construction	Aluminium PDC
Housing / Body Material	Aluminium PDC
Heat Sink Material	Aluminium
Product Color	Black

Environment & Life-span

IP Rating	IP66
Net Weight in Kg.	0.72 1.04 1.04 2.04 2.04
	3.50 3.75 3.75
Standard Packing	10 5 5 8 8
	3 3 3

Dimensions

Product Dimension (mm)	Wattages	A	B	C
	30W	175	235	43
	50W	205	270	43
	60W	205	270	43
	100W	204	355	53
	120W	204	355	53
	150W	350	465	50
	200W	350	465	50
	220W	350	465	50